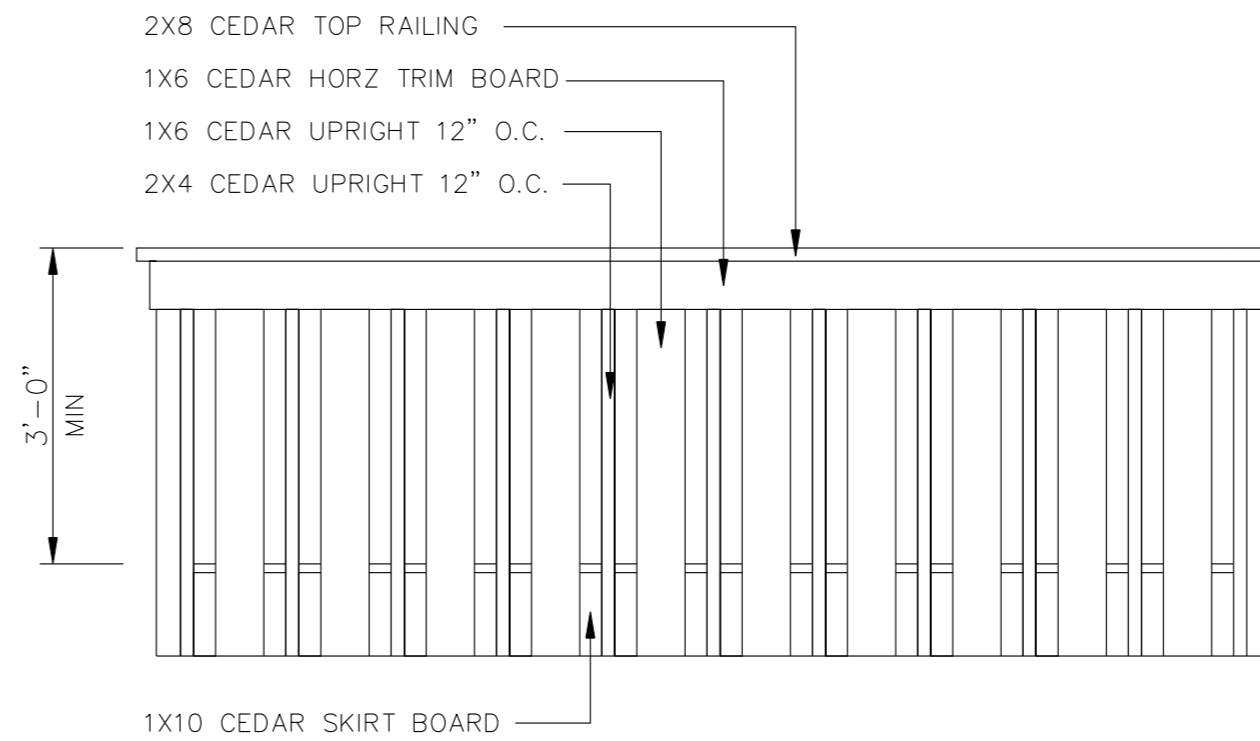
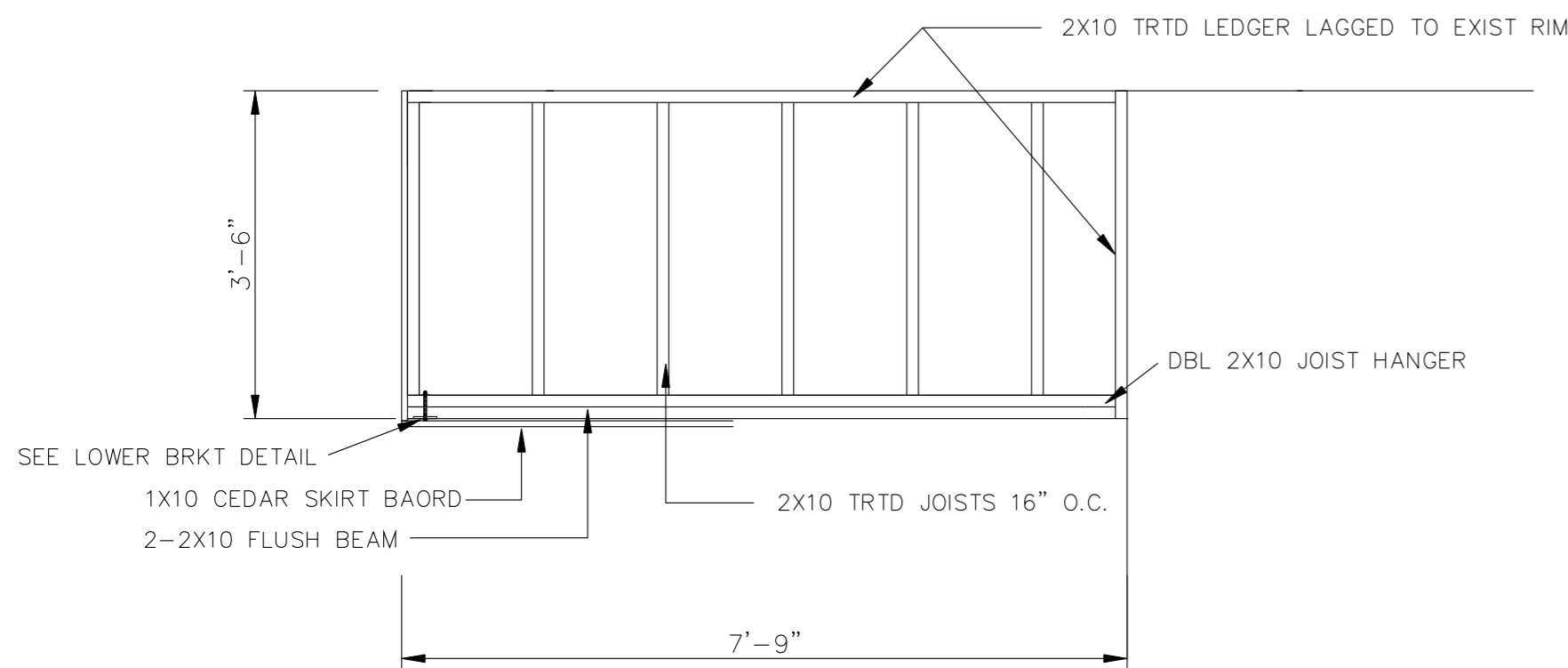


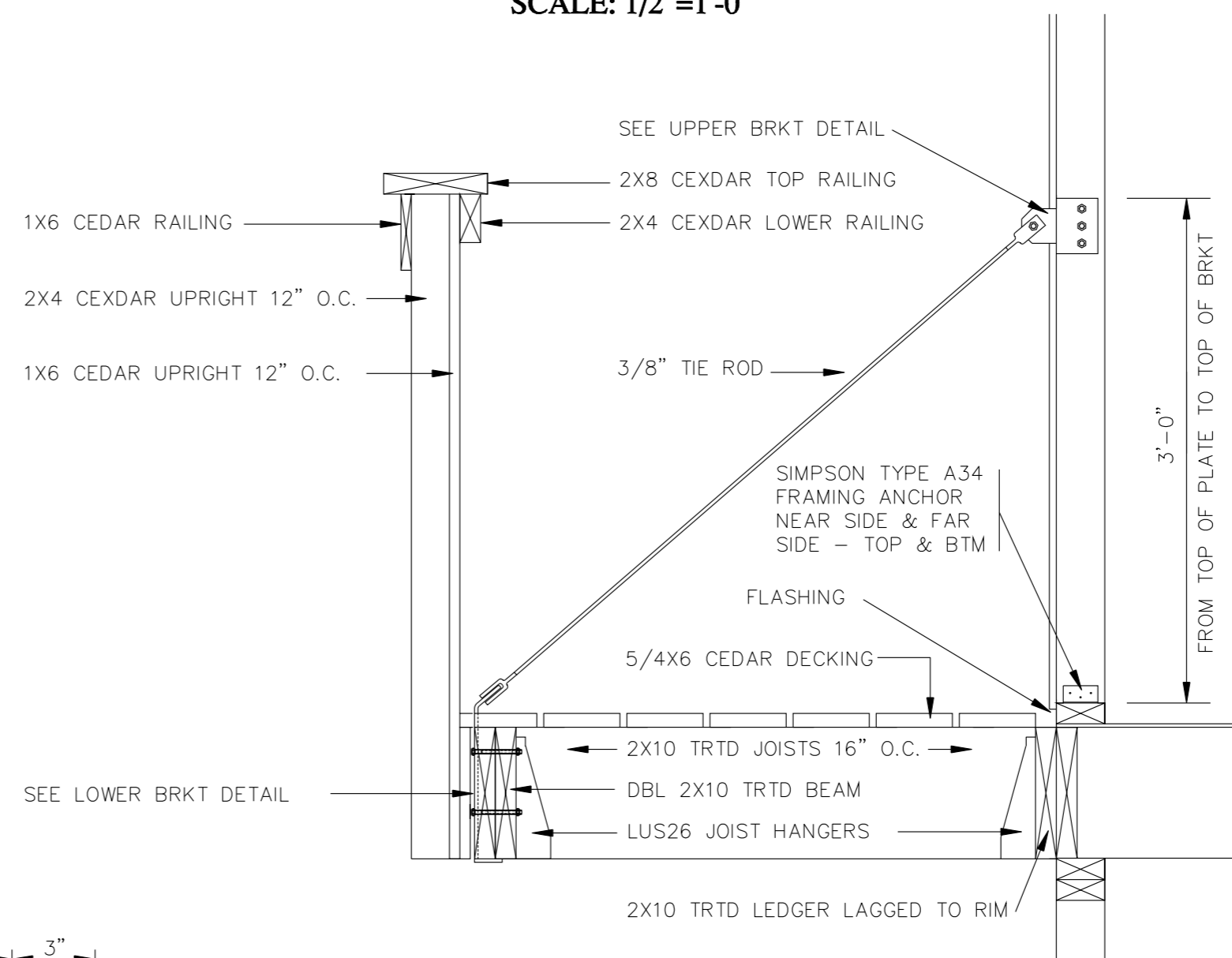
DECK PLAN
SCALE: 1/2"=1'-0



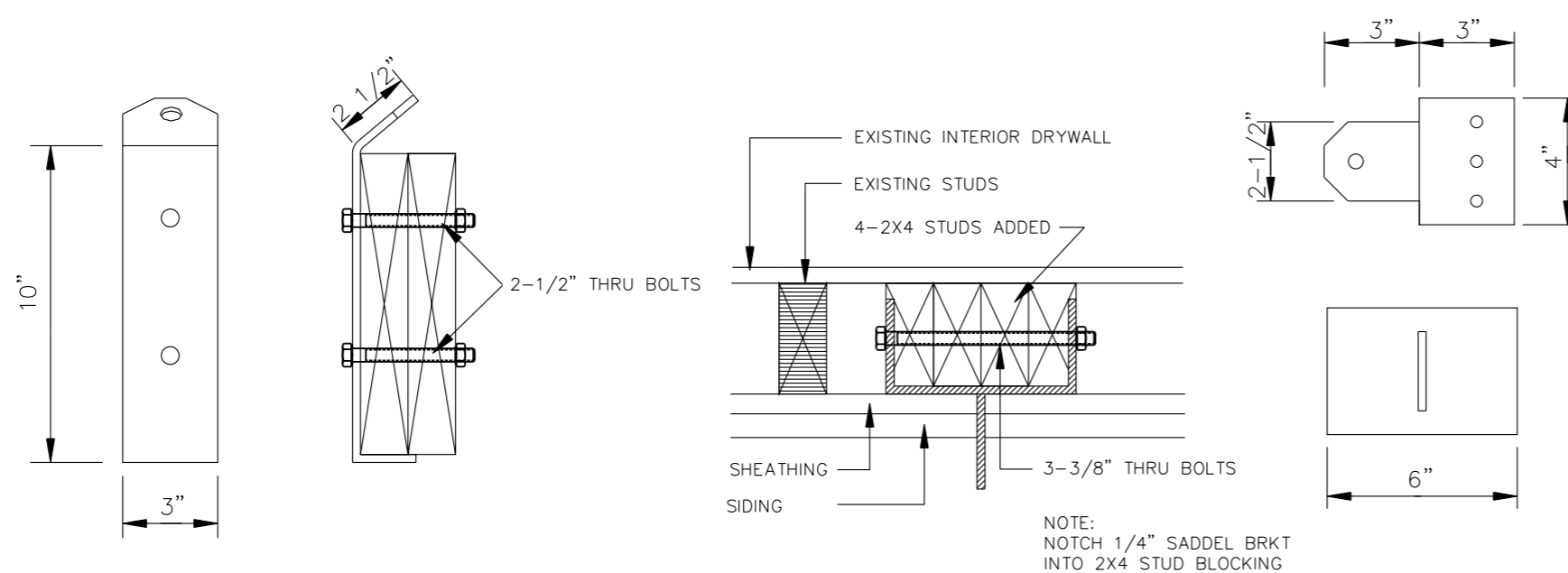
DECK ELEVATION
SCALE: 1/2"=1'-0



FRAMING PLAN
SCALE: 1/2"=1'-0



CROSS SECTION
SCALE: 1"=1'-0



UPPER AND LOWER TIE ROD BRACKET DETAIL
SCALE: 2"=1'-0

NOTE:
BURNSVILLE BUILDING DEPARTMENT HAS THE
ENGINEERED COPY OF THIS DRAWING ON FILE

SHEET
1
OF
1

REVISIONS	DATE	NUMBER

PLAN NUMBER
BIRN-GS05

DRWG BY: **GN**
DATE: **6/11/09**
SCALE: **1/4"**

PROJECT
GENERAL SPECIFICATIONS
ALT UPPER DECK

BIRNAMWOOD
HOMES ASSOCIATION
193 BIRNAMWOOD DRIVE
BURNSVILLE, MINNESOTA 55337