

REQUIRMENTS

REPLACEMENT PATIO DOORS ARE TO BE SLIDING STYLE ONLY WITH DOUBLE INSULATING GLASS. NEW DOOR IS TO FIT INTO EXISTING ROUGH OPENING WITHOUT DISTURBING THE EXISTING STRUCTURAL HEADERS. SLIDING PATIO DOOR FRAME AND SASH MUST BE OF WOOD CONSTRUCTION, PRE PRIMED AND PAINTED TO MATCH EXISTING SIDING COLOR. ANY DIVIDED LITE GRIDS ARE TO BE REMOVABLE INSERTS ONLY. BUILDING PERMIT IS REQUIRED TO INSURE INSTALLATION MEETS ALL HEALTH, SAFETY AND ENERGY CODES. COPIES OF ALL COMPLETED PERMITS TO BE SUBMITTED TO THE ARCHITECTURAL COMMITTEE.

SPECIFICATIONS

FRAME DESCRIPTION:

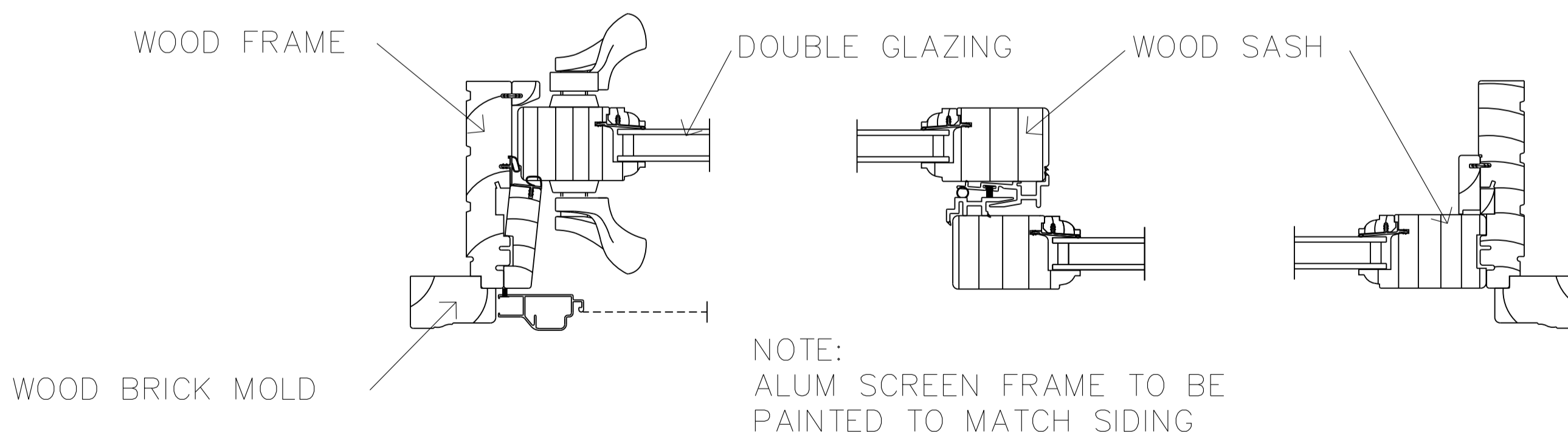
INTERIOR FRAME TO BE MADE UP OF CLEAR PINE OR FINGER JOINTED CORE WITH CLEAR PINE VENEER OR EQUAL EXTERIOR FRAME TO BE EDGE GLUED OR FINGER JOINTED PINE FREE OF ALL KNOTS AND IMPERFECTIONS. ALL FRAME MATERIAL TO BE KILN DRIED TO A MOISTURE CONTENT OF NO GREATER THEN 12 PERCENT. ALL EXTERIOR FRAME MATERIAL TO BE TREATED WITH A WATER REPELLENT PRESERVATIVE IN ACCORDANCE WITH WDMA I.S. 4

SASH DESCRIPTION:

SASH MATERIAL TO BE CLEAR PINE VERTICAL GRAIN DOUGLAS FIR OR FINGER JOINTED CORE WITH CLEAR PINE VENEER. GLAZING TO BE DOUBLE INSULATING WITH THE OPTION OF LOW E AND ARGON GAS FILLED.

EXTERIOR FINISH:

STANDARD WOOD BRICK MOLD AND SASH TO BE LATEX PRIMED WITH FINNISH PAINT TO MATCH EXISTING COLOR.



BIRNAMWOOD
HOMES ASSOCIATION

193 BIRNAMWOOD DRIVE
BURNSVILLE, MINNESOTA 55337

PROJECT

GENERAL SPECIFICATIONS
PATIO DOORS

PLAN NUMBER
BIRN-GS02

DRWG BY: **GN**

DATE **12/28/09**

SCALE

REVISIONS

DATE	NUMBER

SHEET

1
OF
1